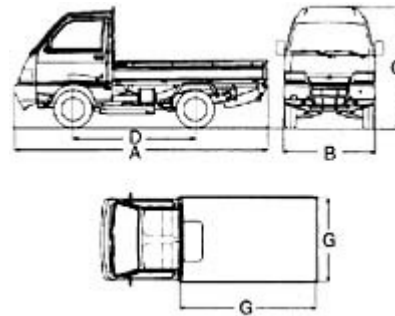




# PORTER Top Deck

## DIMENSIONS AND FEATURES

total no. of seats	2
number of doors	2
length A (mm)	3.745
widt B (mm)	1.460
height C (mm)	1.730
wheelbase D (mm)	1.810
load volume (m <sup>3</sup> )	-
loading height from the ground F (mm)	755
size of the loading floor/deck G (mm)	1.400x2.325
payload* (Kg)	685



\* Refers to petrol engine types. For values of other engine types please refer to the Performance Data Sheet.

## PERFORMANCES

	PETROL	DIESEL
displacement	1.300	1.400
max speed (Kmph)	130	110
max power (kw at rpm)	48/4.800	28/4.300
fuel injection system	indirect multipoint injection	indirect injection
fuel consumption (l/100 Km) at a constant 90 Km/h and full loaded	8,3	7,4
wheel drive	direct to rear wheels	
transmission gear	5 synchro gears + reverse	
cooling system	liquid (water + glycol)	
tyres	155 R 8PR	
front brakes	disc diam. 210 mm	
rear brakes	drum diam. 200 mm	
fuel tank (L)	35	
max ground weight (Kg)	1.550	
trailing mass (Kg)	600	
payload (Kg)	685	630

### 4 Wheel Drive

The 4x4 model is only available with the petrol engine type and, at full load, it can manage a max. slope of 30%